



LUDRE TEST MEASUREMENT AND QUALITY CONTROL SOFTWARE

LUDRE YAZILIM

<https://www.ludre.com.tr/>

UPDATE: AUGUST 2022

Ludre Strobe Ultra Power 1 Channel 20 Amp

1.FEATURES

- 0 – 20 Amp Current Setting
- The Number of Output: 1 Channel
- Output Voltage & Current: 20 Amp, 36 Volt
- Total Output Power: 15 Watt
- Input Voltage: 48 Volts, 2 Amp
- Cut-off Time: 15 μ s
- Timing Input: Optical Isolated 5-32 Volt

2.DESRIPTION

The single-channel strobe device, which is offered to our customers in order to drive industrial LED lighting, is designed for intermittent use. Current adjustment can be made in two ways, coarse and fine. The "Ludre Led Lighting Driver", which can drive all led lighting up to 10 Amps, can be fed both AC and DC.



Figure 1. Ultra Power Strobe 1 Channel 20 Amp

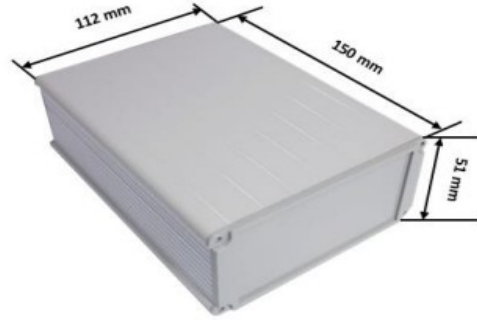


Figure 1.1. Dimensions

Product Name	Dimensions
Ludre Strobe Ultra Power 1 Channel 20 Amper	Lenght: 150 mm
	Width: 112 mm
	Height: 51 mm



LUDRE TEST MEASUREMENT AND QUALITY CONTROL SOFTWARE

LUDRE YAZILIM

<https://www.ludre.com.tr/>

UPDATE: AUGUST 2022

CONTENTS

<u>1.Features.....</u>	<u>1</u>
<u>2.Descriptions.....</u>	<u>1</u>
<u>3.Strobe Input-Output Diagrams.....</u>	<u>3</u>
<u>3.1.Terminal Connection Diagram.....</u>	<u>3</u>
<u>3.2.Device Operation.....</u>	<u>3</u>
<u>3.3.Coarse and Fine Adjustment of Strobe Output Current.....</u>	<u>4</u>
<u>4.Strobe Feed Input Output Parameters.....</u>	<u>5</u>
<u>5.Trigger Features.....</u>	<u>5</u>
<u>5.1.Trigger and Lamp Input Output Parameters.....</u>	<u>6</u>



LUDRE TEST MEASUREMENT AND QUALITY CONTROL SOFTWARE

LUDRE YAZILIM

<https://www.ludre.com.tr/>

UPDATE: AUGUST 2022

3.Strobe Input-Output Diagrams

3.1.Terminal Connection Diagram

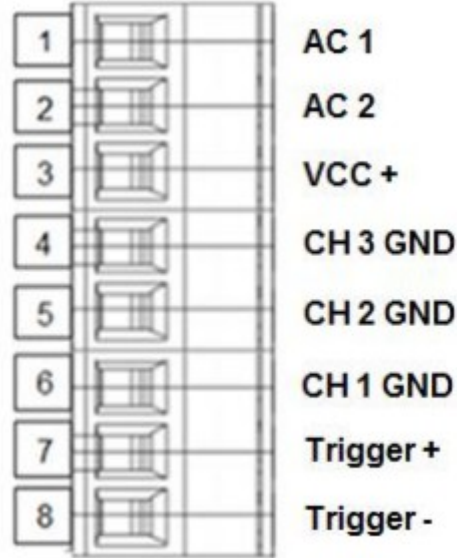


Figure 3.1.Terminal Connection Diagram

3.2.Device Operation

The necessary wiring diagram for the operation of the Strobe UP 1 Ch 20 Amp device is shown below. The strobe is operated with appropriate voltage and current values, taking into account the minimum, nominal and maximum ranges specified in Tables 2, 3 and 4.

When the device is energized, firstly, only the green led lights up on the instrument panel, and the green led does not turn off as long as the device is energized. After the device is triggered from the trigger inputs, it outputs (20 ma) until it goes to the cutoff. After 20 ms, it goes off and the output is cut off. As long as the device gives output, the red led lights up and turns green after cutting.



LUDRE TEST MEASUREMENT AND QUALITY CONTROL SOFTWARE

LUDRE YAZILIM

<https://www.ludre.com.tr/>

UPDATE: AUGUST 2022

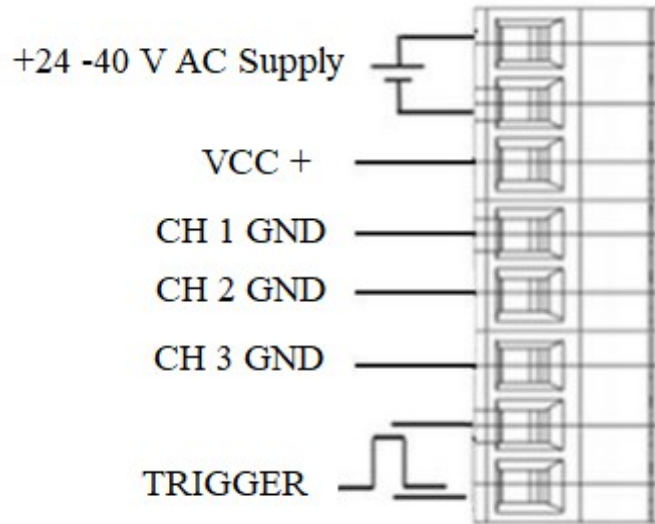


Figure 3.2. Connection Diagram

3.3.Coarse and Fine Adjustment of Strobe Output Current

Strobe 1 Ch 20 Amp UP led lighting driver produces output current between 0-20 Amps. In addition, the device has two 3.5mm diameter holes, +20 Amps and +1 Amps, to adjust the output current, as shown in the figure below. Coarse and fine adjustment of the output current at the desired value is made through these two holes with the help of a screwdriver. The coarse adjustment of the output current is made through the hole marked +20 Amp on the left, and the fine adjustment is made through the hole marked +1 Amp on the right.



Figure 3.3.Current Setting



LUDRE TEST MEASUREMENT AND QUALITY CONTROL SOFTWARE

LUDRE YAZILIM

<https://www.ludre.com.tr/>

UPDATE: AUGUST 2022

4. Strobe Feed Input Output Parameters

	LEAST	NOMINAL	MOST
AC 1 Feed	24 V AC	36 V AC	40 V AC
AC 2 Feed	24 V AC	36 V AC	40 V AC
DC + Feed	30 V DC	50 V DC	54 V DC
DC GND Feed	30 V DC	50 V DC	54 V DC

Figure 4. Voltage Values

5. Trigger Features

The wiring diagram of the trigger input is shown below.

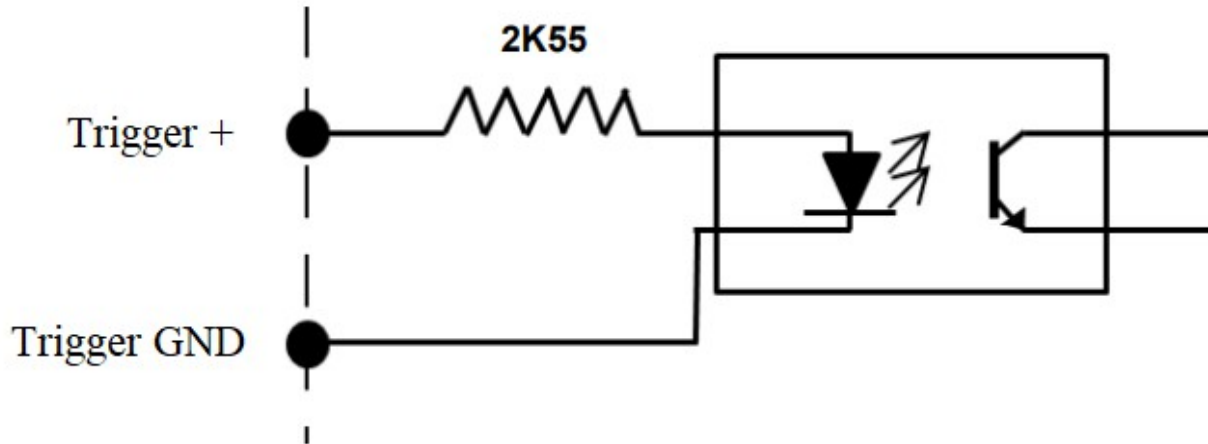


Figure 5. Connection Diagram



LUDRE TEST MEASUREMENT AND QUALITY CONTROL SOFTWARE

LUDRE YAZILIM

<https://www.ludre.com.tr/>

UPDATE: AUGUST 2022

5.1.Trigger and Lamp Input Output Parameters

Trigger Input +&-	LEAST	NOMINAL	MOST
Input Voltage	3.3 VDC	5 VDC	30 VDC
Output Current	0.862 V mA.	1.52 mA.	11.33 mA.
DC + Feed	30 VDC	50 VDC	54 VDC
DC GND Feed	30 VDC	50 VDC	54 VDC

Figure 5.1.Trigger Input Parameters

Lamp Output +&-	LEAST	NOMINAL	MOST
Output Voltage	6 VDC	-	36 VDC
Output Current	0	-	10 A
Output Width	6 μ s	-	15000 μ s

Figure 5.1.1.Lamp Output Parameters

It provides synchronization of camera and lighting in image processing projects. It makes the illumination come on only while the image is being taken. In this way, the life of the lighting that is used for a shorter period of time is extended.

Higher lighting intensities are achieved by using above the nominal values. Improves image quality. Current regulated strobes work with current feedback regardless of lighting type. In this way, the repeatability of lighting is increased in all temperatures and conditions.